

PRODUCT TECHNICAL SHEET

Collection : **PLUG**

Ref. : **4570.--.28**

Mitigeur cuisine 2 trous, grand bec mobile 250 mm avec poignée poussoir, 2 jets

2-gats ééngreeps keukenmengkraan met grote beweegbare bek 250 mm en handdouche met drukknop, 2 stralen

2-hole single lever kitchen mixer with great swing spout 250 mm and handshower with pusher, 2 sprays

Picture



Product details

Weight : 3,06 kg

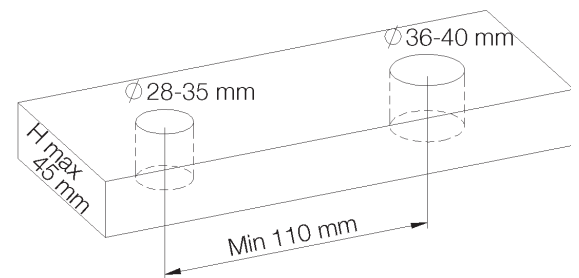
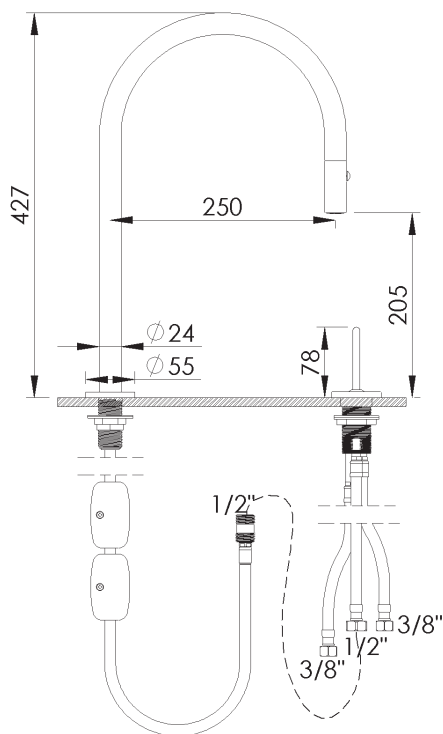
Flow at 3 bar : 7,5 l/min

Internal mechanism : Joystick ceramic cartridge (90°)

Note : Max 5 bars

Provide room for counterweight

Technical drawing



RA1.V01